

Pool Heater Digital Ignition Control Replacement Kit

⚠ WARNING—FOR YOUR SAFETY: This product must be installed and serviced by a professional service technician, qualified in pool/spa heater installation and maintenance. Improper installation and/or operation could create carbon monoxide gas in flue gases which could cause property damage, serious injury, or death. Improper installation and/or operation will void the warranty.

**These instructions are to be used with the following Jandy Replacement Kits:
 R0408100 -- Digital Ignition Control, Pool Heaters, Replacement Kit.**

⚠ WARNING

If the information in these instructions is not followed exactly, a fire or explosion may result causing property damage, personal injury or death.

This document gives instructions for replacement of the digital ignition control in the following models of Jandy pool heaters:

- Lite2 model LD

These models with the digital ignition control are a simple one-for-one replacement with no wiring modifications needed.

The following models were manufactured using an analog type ignition control which may be retrofitted with the digital ignition control in this kit:

- Earlier versions of Lite2 model LD

Use the following table to confirm that the ignition control in your heater is replaceable by the digital ignition control in this kit. All original factory controls and genuine factory replacement controls are marked with both a catalog number and a part number.

Cat. Number	Part Number	Used on Model
05-339013-003	E0201300	Earlier Lite2 LD

Some minor wiring changes must be made to retrofit the digital ignition control. Use the following instructions to install the new digital control. All components needed for the installation are included in the kit. The kit was designed to accommodate all of the models mentioned above, so not all installations will utilize all components.

Before starting the procedure, use the parts list at the back of these instructions to identify the parts that are in your kit. If any parts are missing from the kit please call your local Jandy distributor for assistance. For technical assistance please contact our Technical Service Department at (707) 776-8200, extension 260.

These instructions are separated into sections referring to procedures for each model heater mentioned above. Find the section referring to your heater and read through the instructions completely before beginning the replacement. The instructions must be followed exactly.

⚠ WARNING SHOCK HAZARD!

Turn off all switches and the main breaker in the heater circuit before removing the heater door to start the replacement procedure. Failure to comply may cause a shock hazard resulting in severe personal injury or death.

To Replace the Ignition Control on an earlier model Lite2 LD heater.

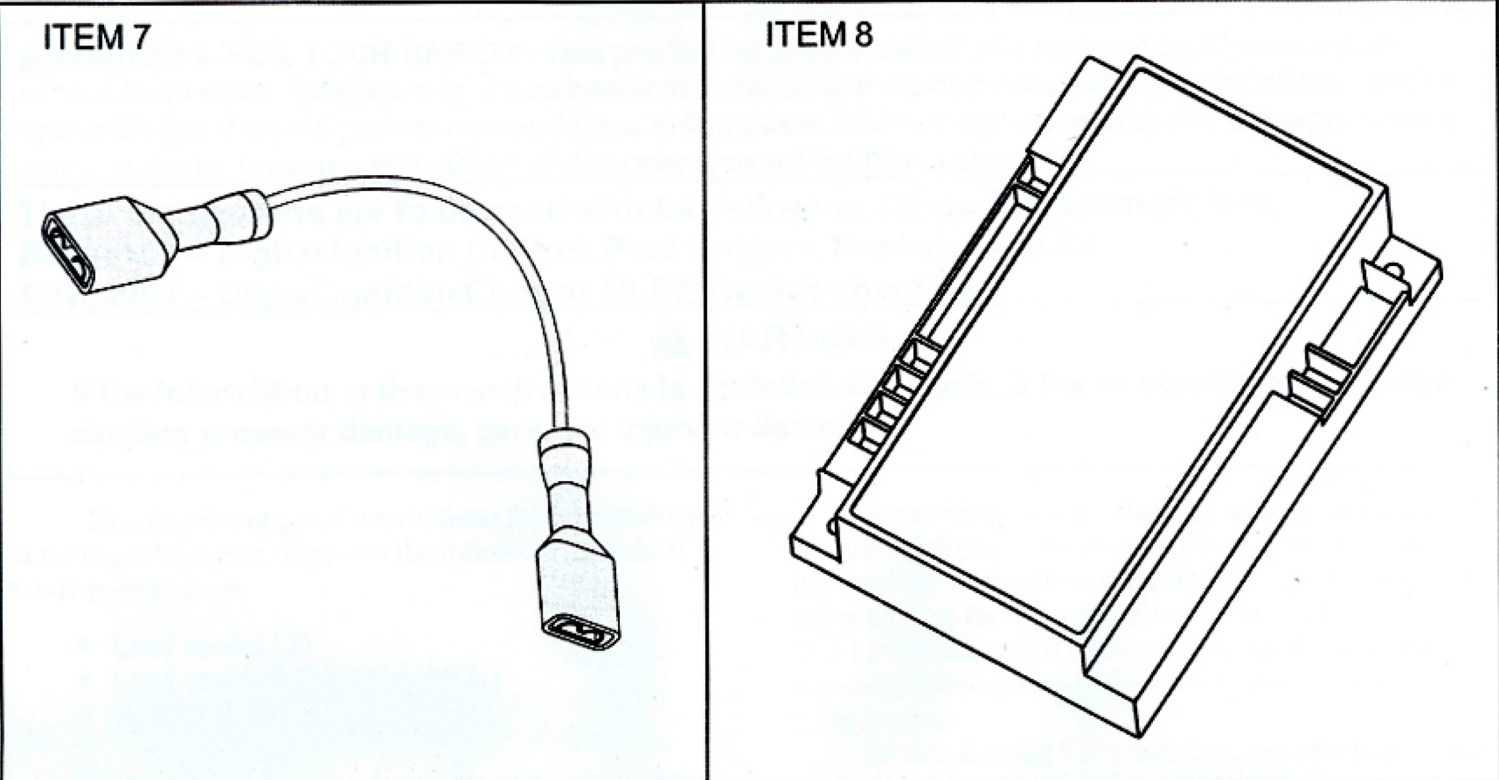
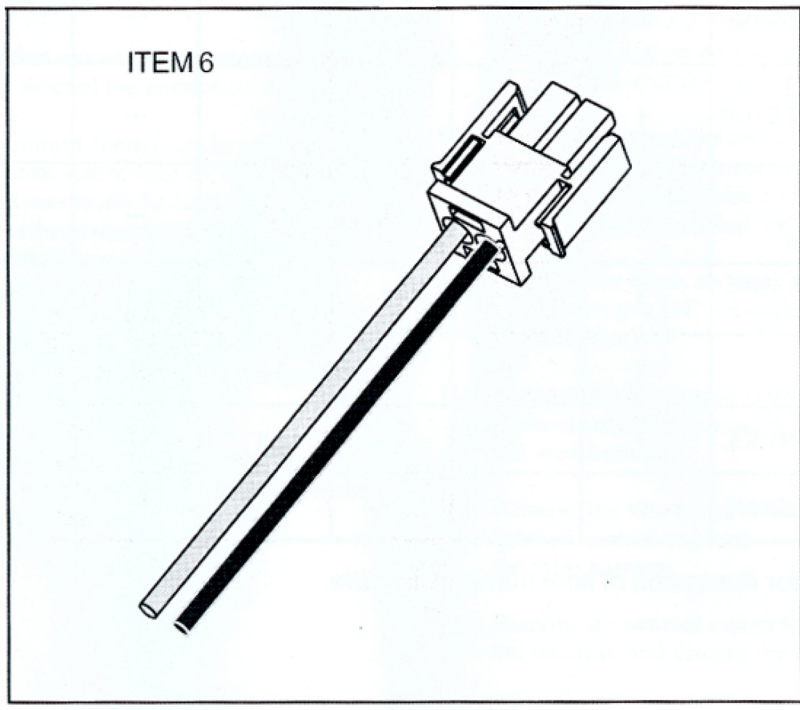
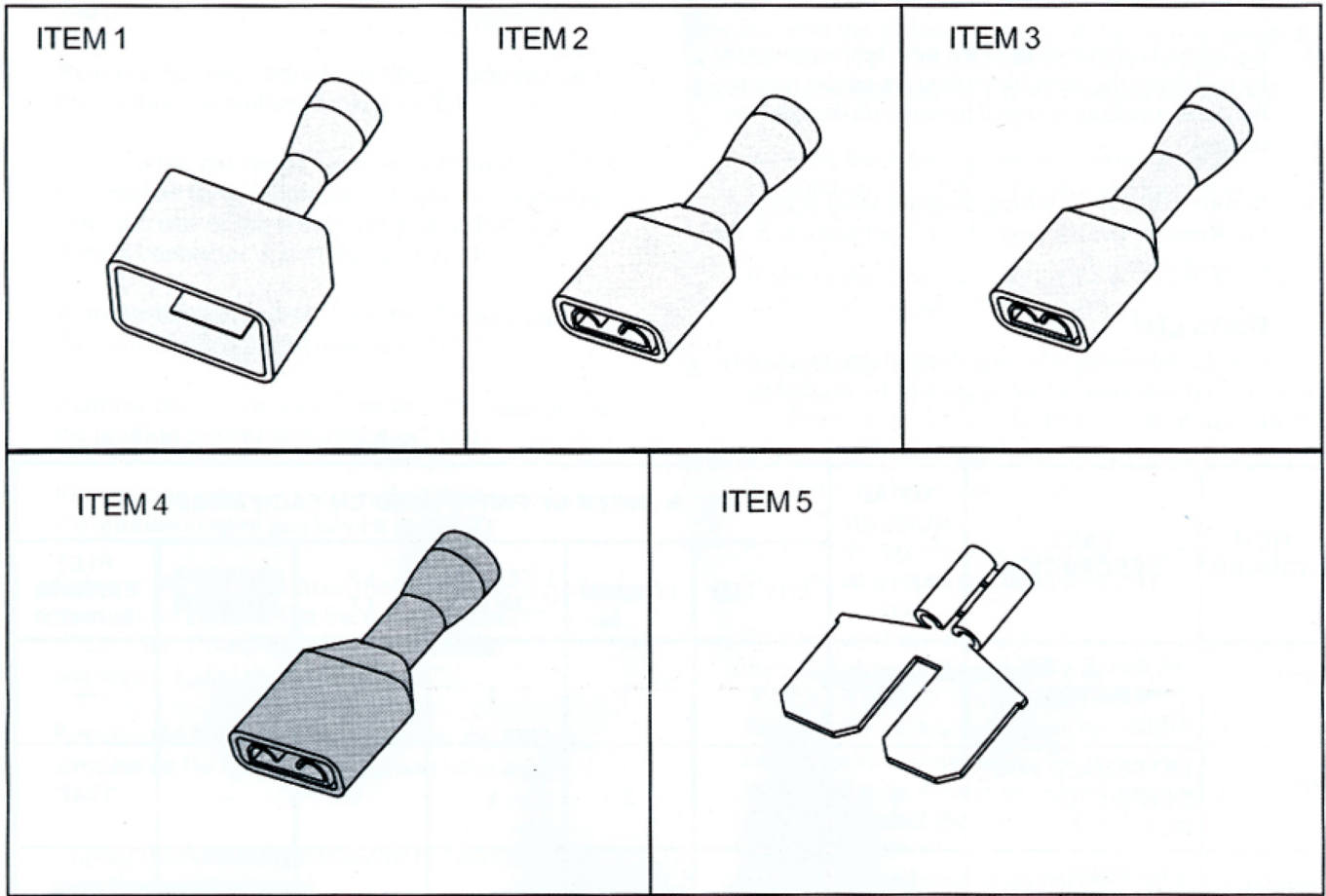
1. Remove the white igniter wire from the IGN terminal on the ignition control.
2. Remove the red wire from the L2 terminal on the ignition control. Cut the female connector from the end of the wire and crimp on a red 1/4 inch male connector. Connect this wire to the igniter wire removed in step 1.
3. Remove the white wire from the IGN 120 terminal (or IGN 240 terminal if supply voltage is 240 VAC) on the ignition control and label it as "IGN 120" (or "IGN 240" if appropriate).
4. Remove the black wire from the L1 terminal on the ignition control and label it as "L1".
5. Remove the black flame sense wire from the FS terminal on the ignition control. Cut the connector from the end of the wire. Crimp on a 1/4" red female connector. Label the wire as "IGN/FS".
6. Remove the black/yellow wire from the TH terminal on the ignition control. Cut the connector from the end of the wire. Strip the insulation back 1/4" from the end of the wire.
7. Remove the gray and black wire harness from the kit. Twist the ends of the gray wire and the black/yellow wire (step 6) together and crimp on a 3/16" blue female connector. Label this connection "IND".
8. Crimp a 1/4" red female connector on to the end of the black wire of the wire harness and label it "TH".
9. Remove the brown wire from the VAL terminal on the ignition control and label it as "VAL".
10. Remove the yellow wire from the GND terminal on the ignition control and label it as "GND".
11. Remove the red wire with the in-line fuse from the transformer. Install a double male connector on the tab of the transformer and reconnect the red wire to one of the tabs on the double male connector.
12. Remove screws that mount the ignition control to the ignition control panel and discard the control.
13. Install the new ignition control on the ignition control panel. Use the screws removed in step 13. Mounting holes on the ignition control have the same pattern as the one removed and should line up with the holes on the ignition control panel.

14. Remove the red wire assembly from the kit. Connect one end of the wire to the open tab of the double male connector on the transformer and the other end of the wire to the 24 VAC terminal on the new ignition control.
15. Plug the gray and black wire harness into the F1/F2 connection on the new ignition control.
16. Reconnect the remaining wires to the new ignition control by matching the label identification on the wire to the corresponding terminal position on the ignition control.
17. Remove the Lite2 LD wiring diagram label from the kit. Remove the backing of the label and cover the existing wiring diagram.

Parts List

Use the following table and illustrations to identify the parts in this kit and which parts will be needed to retrofit your heater with the digital ignition control.

ITEM NUMBER	PART DESCRIPTION	# of Parts Used On Lite2 LD
ITEM 1	1/4" MALE WIRE CONNECTOR (RED)	1
ITEM 2	1/4" FEMALE WIRE CONNECTOR (RED)	2
ITEM 3	3/16" FEMALE WIRE CONNECTOR (RED)	—
ITEM 4	3/16" FEMALE WIRE CONNECTOR (BLUE)	1
ITEM 5	1/4" DOUBLE MALE WIRE CONNECTOR	1
ITEM 6	GRAY/BLACK WIRE HARNESS	1
ITEM 7	RED WIRE ASSEMBLY	1
ITEM 8	IGNITION CONTROL	1
ITEM 9	WIRING DIAGRAMS	1



parts4heating
800-536-1582 Fax: 866-448-9304
info@parts4heating.com